

*Spare parts list:*

## BIOBASIC 600

*Item number: 765042203 Rev. 001*

*Release date: 21-12-2022*

*Processed by: Jan B. Poulsen*

*Approved by: John B. S. Petersen*

Gram Scientific ApS  
Aage Grams Vej 1  
6500 Vojens, Danmark  
Tel: +45 73 20 13 00  
Fax: +45 73 20 12 01  
[www.gram-bioline.com](http://www.gram-bioline.com)



Biostorage you can depend on

## Content

Content.....	2
Introduction and important note .....	3
Introduction to BIOBASIC .....	3
Important note concerning understanding spare list .....	3
Overall drawing of BIOBASIC 600 .....	4
Sensors and sensor positioning .....	4
Front and back view of BIOBASIC cabinet .....	5
Cooling parts and refrigeration parts .....	6
RR and RR* .....	6
RF .....	7
Electrical parts .....	8
Controllers and electrical terminal box .....	8
Mechanical parts .....	9
Cabinet .....	9
Control panel .....	10
Door/Glass door – RR, RF/RR* .....	11
Accessories .....	12
Log book .....	13
Notes .....	14

		765042203			Page (of):
					2 of ( 14 )
Status:	Processed by:	Approved by:	Approval date:	Document no.:	Rev.:
Released ver.	Jøn B. Poulsen	John B. S. Petersen	21-12-2022		001

## Introduction and important note

### Introduction to BIOBASIC

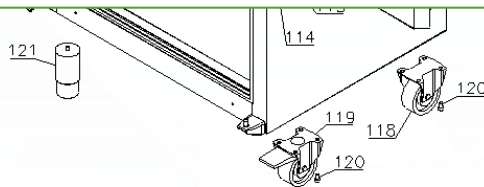
This spare part document is intended for the **BIOBASIC 600** product series.

The **BIOBASIC** range offers cost-effective bio storage solutions for a host of applications. With temperature alarms, internal and external ATEX, no cold walls and a user-friendly interface, the **BIOBASIC** range provides an exceptional selection of features in a very small package. Available as refrigerator or freezer.

### Important note concerning understanding spare list

Please note that when ordering a spare part, the item number only applies to ordering one single spare part!

For this reason, there is a column in the tables with name **“Orig. used [pcs]”** that shows the amount of the spare parts that is originally used on the product. Eg. when ordering new legs, the item number only applies to one single piece, but the column informs that 4 pieces have been used. In columns with **“Introduced”** and **“Terminated”**, a six-digit number is given, which means product release year and week (YYYY-WW).



Item no.	Description	Orig. used (pcs)	Gram part no.	Introduced	Terminated
118	Straight castor H = 125 mm	2	480270520	2016-37	
119	Swivel castor H = 125 mm w/brake 360°	2	480260050	2016-37	
120	Screw M8x12	16	422715000	2016-37	
121	Leg H = 100-130 mm	4	765080118	2016-37	
121	Leg H = 134-200 mm	4	765080115	2016-37	
121	Leg H = 180-250 mm	4	765080116	2016-37	

**NOTE:** In this document is used abbreviations or abbreviated type designations like **RR, RR\* and RF.**

BIOBASIC 600 comes as a refrigerator with a solid door or with a glass door. The freezer always has a solid door. When looking for the right spare parts, some parts are common to all and the abbreviations are not shown. But if the spare parts are specifically used for perhaps freezers, or perhaps specifically used for refrigerators with glass doors, the abbreviations will be used to help ordering the right part.

The type designated abbreviations are:

**RR** indicates BIOBASIC RR600 refrigerator with massive door

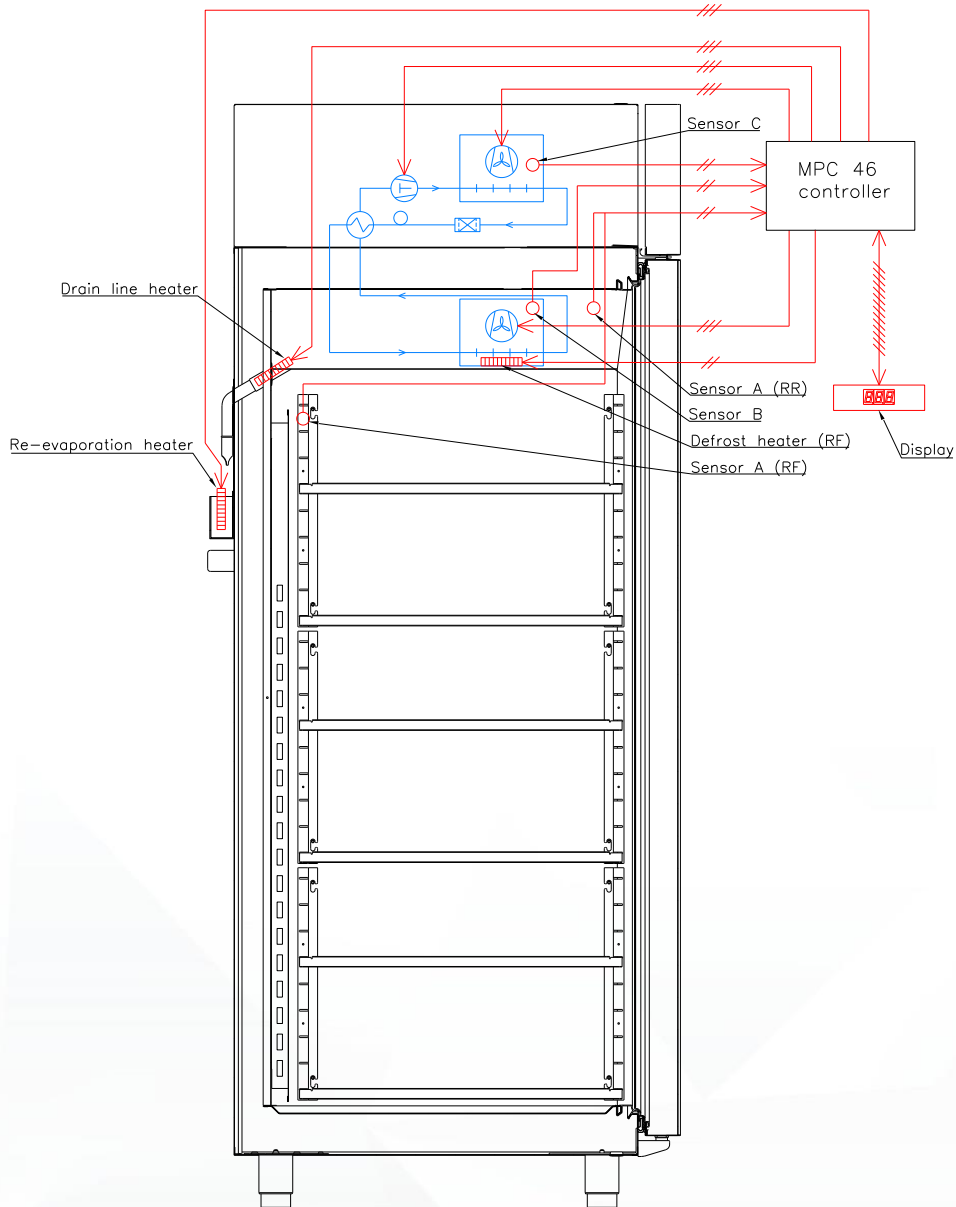
**RR\*** indicates BIOBASIC RR600 refrigerator with glass door

**RF** indicates BIOBASIC RF600 freezer with massive door

## Overall drawing of BIOBASIC 600

Sectional drawing of BIOBASIC 600 cabinet with Electrical and Piping system represented.

Note: Defrosting heating element is only for the freezer. Room sensor positioning on freezer is placed in wall rail.



### Sensors and sensor positioning

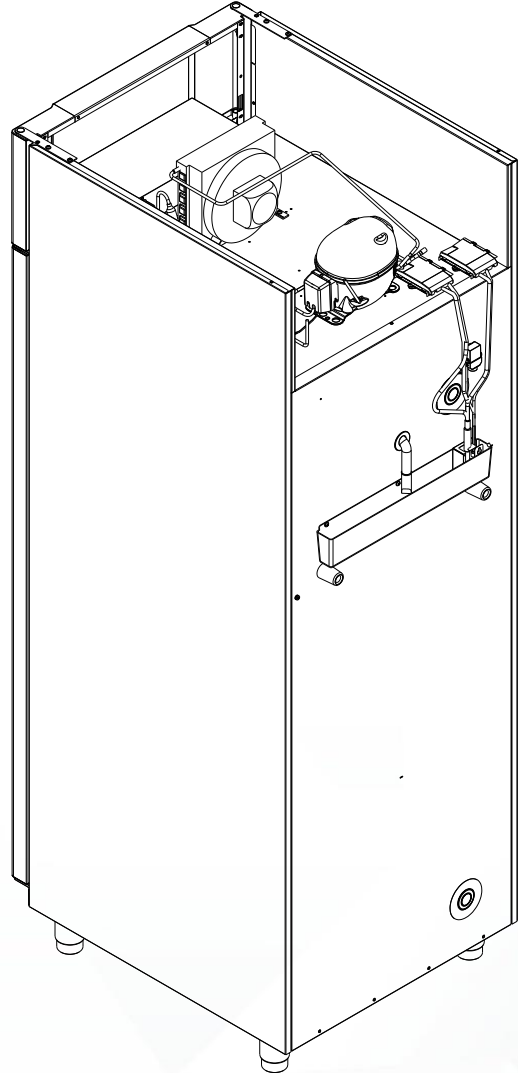
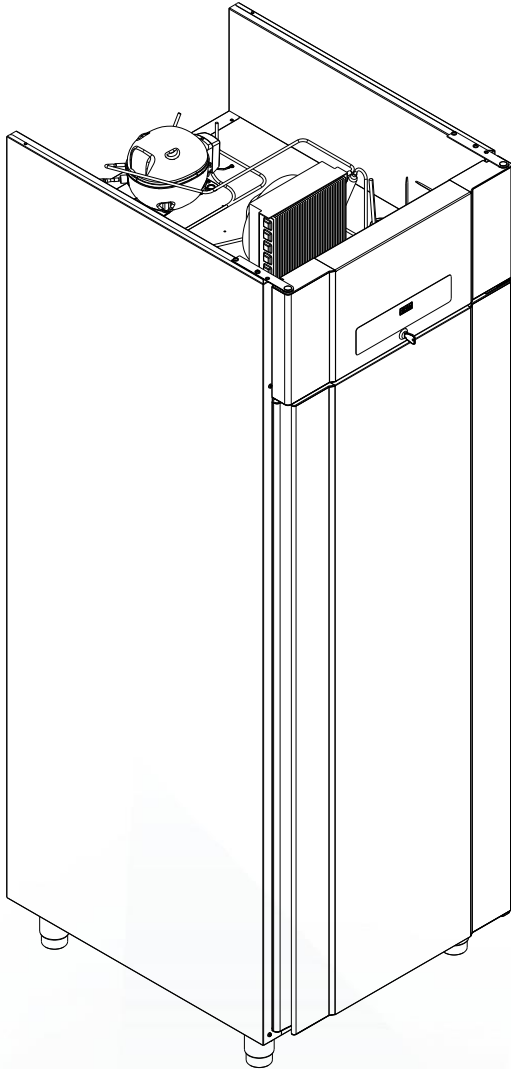
Item no.	Description	Orig. used (pcs)	Gram part no.	Introduced	Terminated
A	Room sensor (1500 mm)	1	453531501	2020-04	
B	Defrost sensor (1000 mm)	1	453531500	2020-04	
C	Condenser sensor (1000 mm)	1	453531500	2020-04	

**Note:** For A-sensor, see section for Mechanical parts. For B- and C-sensor see section for Refrigeration parts.

		765042203			Page (of):
					4 of ( 14 )
Status:	Processed by:	Approved by:	Approval date:	Document no.:	Rev.:
Released ver.	Ján B. Poulsen	John B. S. Petersen	21-12-2022		001

## Front and back view of BIOBASIC cabinet

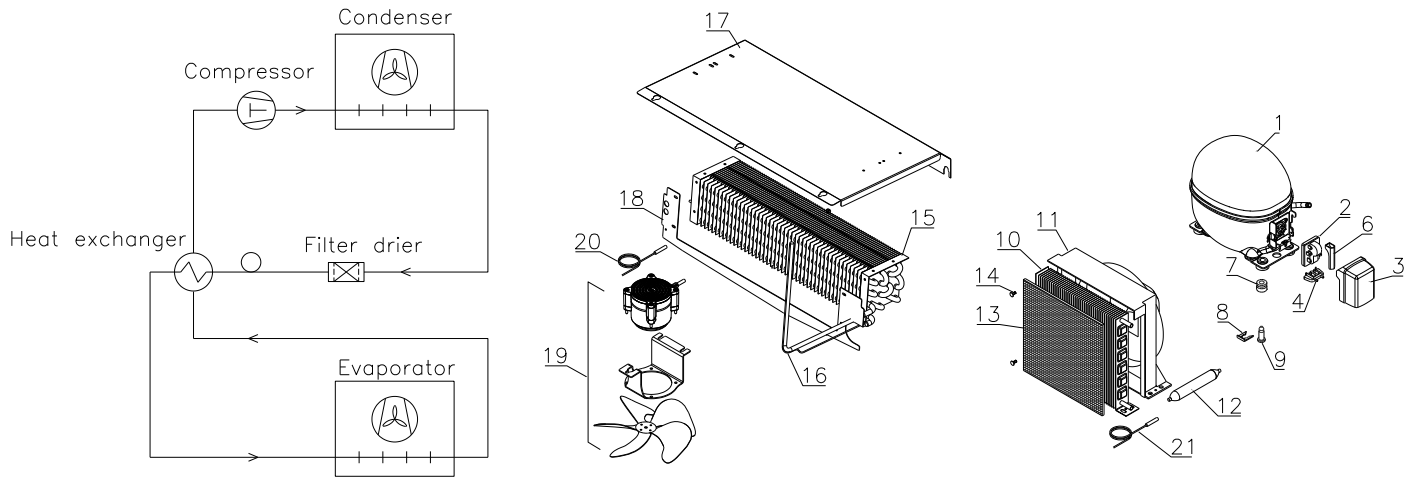
Front of cabinet (left) seen from left upper corner and down. Back of cabinet (right) seen from right upper corner and down.



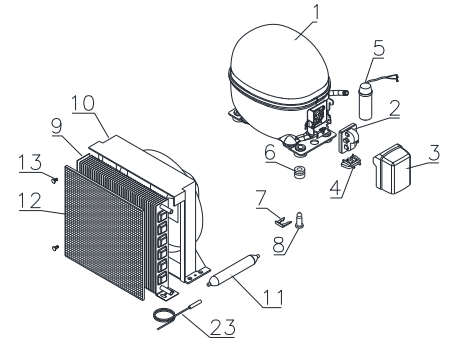
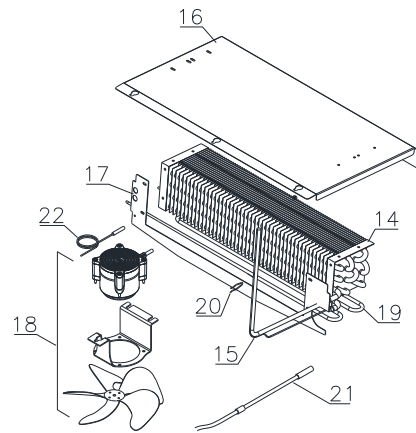
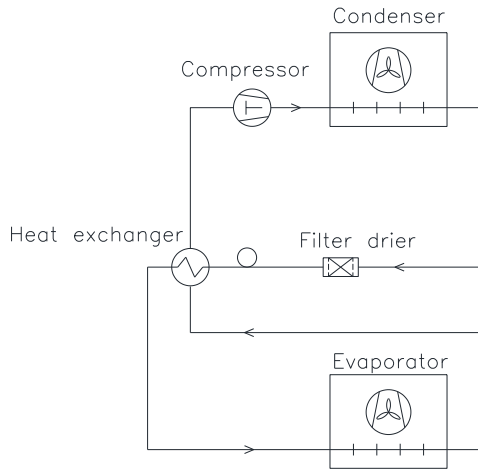
		765042203			Page (of):
					5 of ( 14 )
Status:	Processed by:	Approved by:	Approval date:	Document no.:	Rev.:
Released ver.	Jøn B. Poulsen	John B. S. Petersen	21-12-2022		001

## Cooling parts and refrigeration parts

RR and RR\*



Item no.	Description	Orig. used (pcs)	Gram part no.	Introduced	Terminated
1	Compressor DLE4CN	1	502900023	2020-04	
2	Starting device	1	453050180	2020-04	
3	Cover	1	452440296	2020-04	
4	Cord relief	1	452440300	2020-04	
6	PTC cover	1	452440290	2020-04	
7	Rubber bush	4	760080519	2020-04	
8	Compressor clip	4	760082367	2020-04	
9	Compressor screw	4	760082711	2020-04	
10	Condenser	1	765080161	2020-04	
11	Condenser fan complete incl. fan	1	765080188	2020-04	
12	Filter drier Ø6,0/2,0	1	762900156	2020-04	
13	Air filter	1	761114415	2020-04	
14	Attachment plug	4	765081250	2020-04	
15	Evaporator	1	762900187	2020-04	
16	Heat exchanger	1	762900130	2020-04	
17	Evaporator suspension	1	763251240	2020-04	
18	Evaporator cover	1	763251266	2020-04	
19	Evaporator fan incl. socket and wing	1	763234014	2020-04	
20	Defrost sensor (B-sensor, 1000 mm)	1	453531500	2020-04	
21	Condenser sensor (C-sensor, 1000 mm)	1	453531500	2020-04	

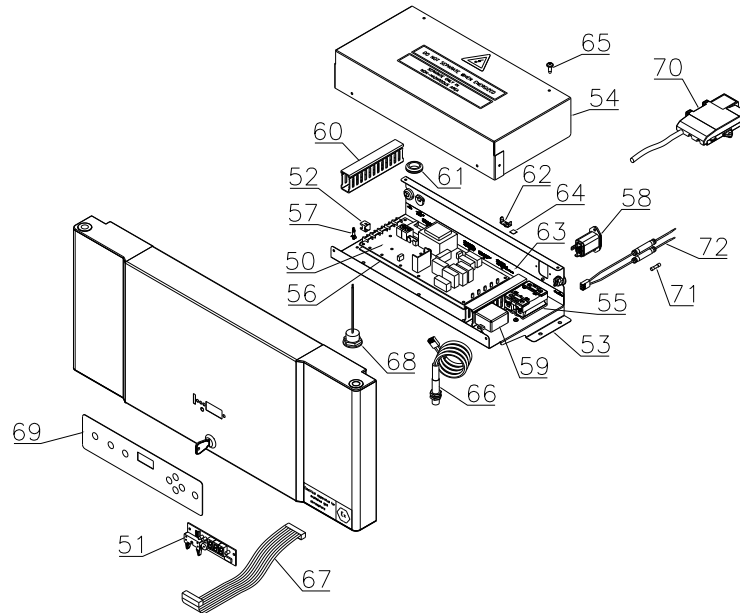


Item no.	Description	Orig. used (pcs)	Gram part no.	Introduced	Terminated
1	Compressor NLE8.8CN	1	502900018	2020-04	
2	Starting device	1	453050180	2020-04	
3	Cover	1	452440293	2020-04	
4	Cord relief	1	452440300	2020-04	
5	Run capacitor 4 µF	1	451723517	2020-04	
6	Rubber bush	4	760080519	2020-04	
7	Compressor clip	4	760082367	2020-04	
8	Compressor screw	4	760082711	2020-04	
9	Condenser	1	765080161	2020-04	
10	Condenser fan complete incl. fan	1	765080188	2020-04	
11	Filter drier Ø6,0/2,0	1	762900156	2020-04	
12	Air filter	1	761114415	2020-04	
13	Attachment plug	4	765081250	2020-04	
14	Evaporator	1	762900187	2020-04	
15	Heat exchanger	1	762900130	2020-04	
16	Evaporator suspension	1	763251240	2020-04	
17	Evaporator cover	1	763251266	2020-04	
18	Evaporator fan incl. socket and wing	1	763234014	2020-04	
19	Defrost heater	1	765072147	2020-04	
20	Clip for defrost heater	5	763251227	2020-04	
21	Drain line heater	1	761250763	2020-04	
22	Defrost sensor (B-sensor, 1000 mm)	1	453531500	2020-04	
23	Condenser sensor (C-sensor, 1000 mm)	1	453531500	2020-04	



## Electrical parts

### Controllers and electrical terminal box

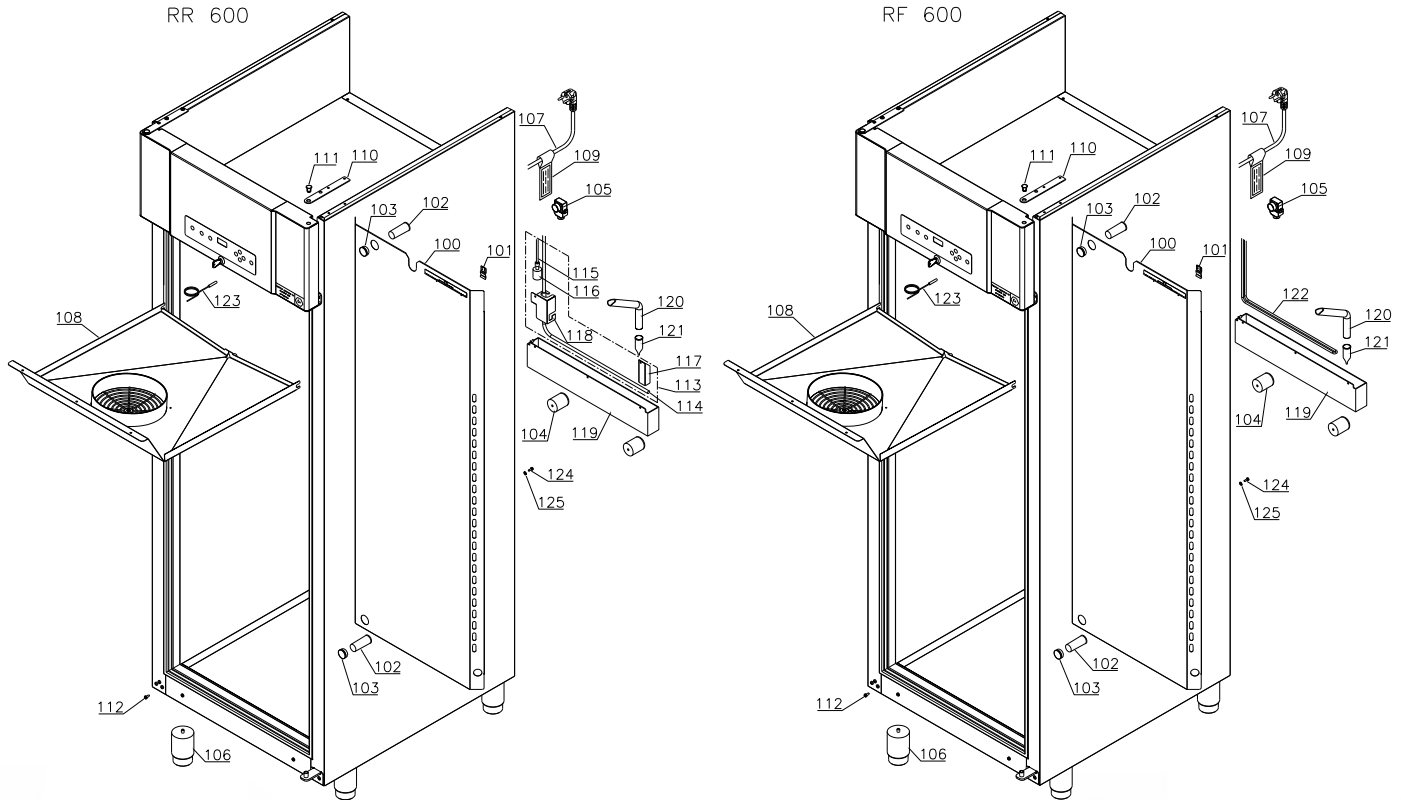


Item no.	Description	Orig. used (pcs)	Gram part no.	Introduced	Terminated
50	Electronic controller K70 (RR600)	1	761256164	2020-04	
50	Electronic controller F71 (RF600)	1	761256167	2020-04	
51	Display PCB	1	612900059	2020-04	
52	AMP Duo plug 2.5 frame	3	452260601	2020-04	
53	Electrical terminal box	1	763230616	2020-04	
54	Cover for junction box	1	763230617	2020-04	
55	Solid state relay	1	450200300	2020-04	
56	PCB protection sheet	1	765040777	2020-04	
57	PCB spacer	6	451119520	2020-04	
58	Appliance inlet incl. EMC/EMI filter	1	451022003	2020-04	
59	Power supply for LED door light	1	765072843	2020-04	
60	Cable duct	2	761233601	2020-04	
61	Rubber bush	4	470360007	2020-04	
62	Double connector for PE conductor	1	452250501	2020-04	
63	Label for wiring connections	1	765042496	2020-04	
64	Label w/earth symbol	1	454050400	2020-04	
65	Screw 3.5x10 T15	4	422700302	2020-04	
66	Door switch	1	450400113	2020-04	
67	Ribbon cable (1200 mm)	1	453582046	2020-04	
68	LED light 12V	1	450742018	2020-04	
69	Keypad RR	1	765041542	2020-04	
69	Keypad RF	1	765041543	2020-04	
70	Complete Junction box for potential free alarm	1	763232189	2020-04	
71	10 A Time-delay fuses 5 x 20 mm	2	765070719	2020-04	
72	Wire incl time-delay fuses 10A	1	765073289	2020-04	



## Mechanical parts

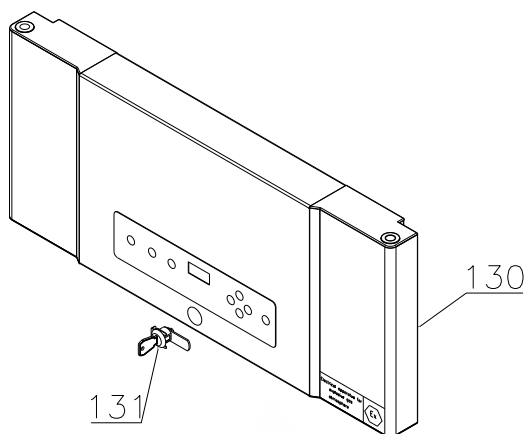
### Cabinet



Item no.	Description	Orig. used (pcs)	Gram part no.	Introduced	Terminated
100	Air distribution plate incl. load limit	1	763234009	2020-04	
101	Bracket	2	760250762	2020-04	
102	Insulation plug for access port	2	765080563	2020-04	
103	Plastic cap	2	501020023	2020-04	
104	Distance bush	2	762251184	2020-04	
105	Air relief valve	1	765081206	2020-04	
106	Leg H=135-200 mm	4	765080115	2020-04	
107	Power cord EU	1	765072566	2020-04	
107	Power cord UK	1	765072567	2020-04	
107	Power cord DK	1	765072568	2020-04	
108	Drip water tray complete	1	763251827	2020-04	
109	Hangtag	1	765040288	2020-04	
110	Bracket for top panel	2	763251969	2020-04	
111	Plug for bracket	2	762110281	2020-04	
112	Screw M5x12	7	420178002	2020-04	
113	Re-evaporation kit	1	763231600	2020-04	
114	Re-evaporation heater	1	765072862	2020-04	
115	Float switch	1	765072049	2020-04	

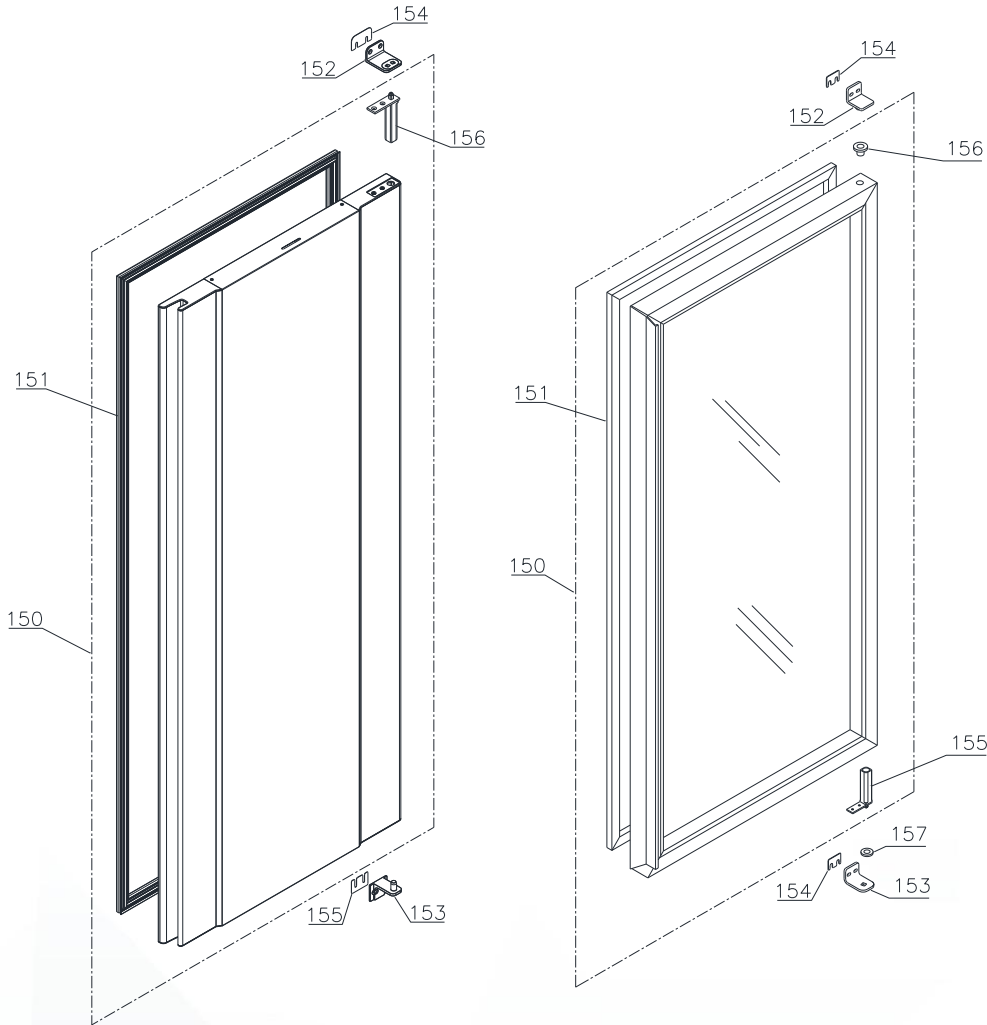
Item no.	Description	Orig. used (pcs)	Gram part no.	Introduced	Terminated
116	Plastic cap	1	450450080	2020-04	
117	Heater bracket	1	763250021	2020-04	
118	Heater/float switch bracket	1	763250020	2020-04	
119	Re-evaporation tray	1	765081149	2020-04	
120	Drain pipe	1	765081253	2020-04	
121	Water trap	1	760082891	2020-04	
122	Hot gas pipe for re-evaporation	1	762900063	2020-04	
123	Room sensor (A-sensor, 1500 mm)	1	453531501	2020-04	
124	M5 Screw for equipotential bonding	1	422733001	2020-04	
125	Washer for equipotential bonding	1	421748009	2020-04	

### Control panel



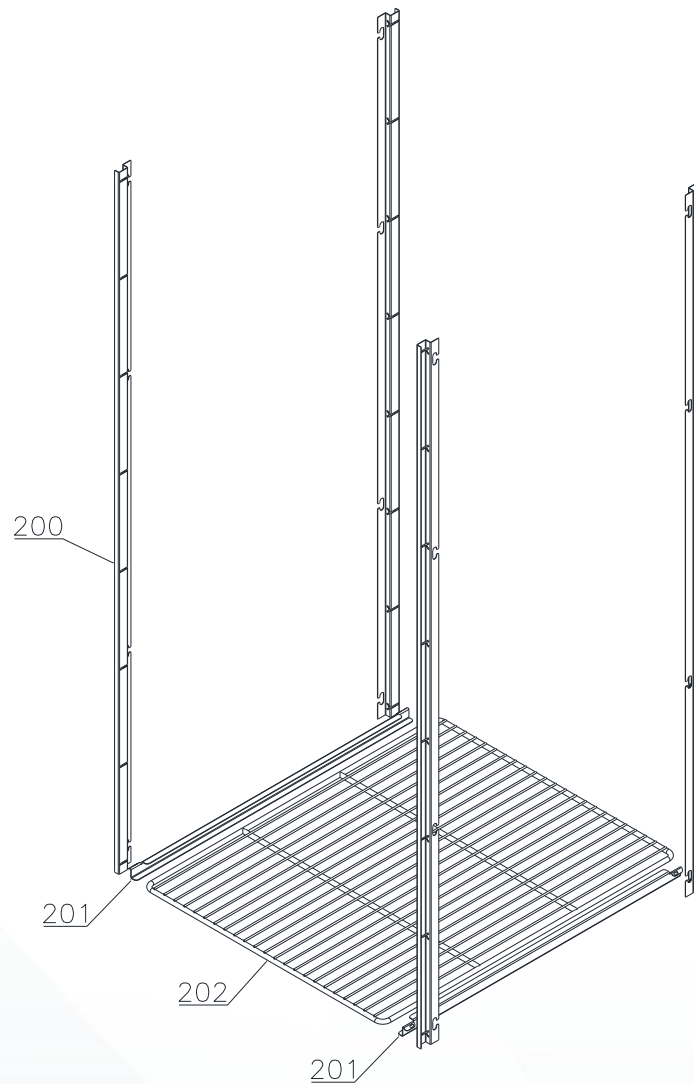
Item no.	Description	Orig. used (pcs)	Gram part no.	Introduced	Terminated
130	Control panel RR & RR* complete (w/Key pad and Ex-marking)	1	763234003	2020-04	
130	Control panel RF complete (w/Key pad and Ex-marking)	1	763234004	2020-04	
131	Lock complete w/2 keys (random number)	1	765080235	2020-04	

Door/Glass door – RR, RF/RR\*



Item no.	Description - Solid door RR/RF	Orig. used (pcs)	Gram part no.	Introduced	Terminated
150	Door complete	1	763234005	2020-04	
151	Gasket	1	763251705	2020-04	
152	Top hinge	1	763251789	2020-04	
153	Bottom hinge	1	763251788	2020-04	
154	Top hinge spacer	1-2	763251748	2020-04	
155	Bottom hinge spacer	1-2	763251749	2020-04	
156	Self-closing device	1	763251745	2020-04	

Item no.	Description - Glass door RR*	Orig. used (pcs)	Gram part no.	Introduced	Terminated
150	Glass door complete	1	761259150	2020-04	
151	Gasket	1	761259243	2020-04	
152	Hinge, top right/bottom left	1	761258923	2020-04	
153	Hinge, bottom right/top left	1	761258998	2020-04	
154	Top/bottom hinge spacer	1-2	761258621	2020-04	
155	Self-closing device	1	761259909	2020-04	
156	Hinge bush	1	760242041	2020-04	
157	Washer	1	421708020	2020-04	



Item no.	Description	Orig. used (pcs)	Gram part no.	Introduced	Terminated
200	Wall rail	4	763251922	2020-04	
201	Shelf support anti-tilt set of 2	4	818885001	2020-04	
202	Wire shelf, grey	4	818880008	2020-04	

		765042203			Page (of):
					12 of ( 14 )
Status:	Processed by:	Approved by:	Approval date:	Document no.:	Rev.:
Released ver.	Jøn B. Poulsen	John B. S. Petersen	21-12-2022		001



Biostorage you can depend on

## Log book

Continuous changes are introduced in the log book.

### Version 001:

- **21. December 2022:** First release of this Spare Part document.

		765042203			Page (of): 13 of ( 14 )
Status:	Processed by:	Approved by:	Approval date:	Document no.:	Rev.:
Released ver.	Jan B. Poulsen	John B. S. Petersen	21-12-2022		001



Biostorage you can depend on

## Notes
